**VEHICLE TYPE****ISUZU / KENWORTH / PETERBILT / MITSUBISHI /
DETROIT DIESEL ZETROS MERCEDES / IVECO****TRANSMISSION CODE****MD 3000 / 3060 / 3200 / 3070 / 3500 / 3560 / 3066 / 3566
HD 4000 / 4060 / 4070 / 4076 / 4560 / 4430 / 4440 / 4500
4600 / 4800**

This side-mounted PTO transmission has a single, two-axis output.

It is mounted in the main transmission. The PTO gear proportionally transmits the power received from the main transmission to the output through the gears in the transmission. This pto is designed to provide stronger torque. The equipment output is compatible with the ISO4-bolted pump output. Optionally, the output can be provided with SAE-B/BB/-C splined shafts and couplings.

There is no activation/deactivation mode, it becomes activation as soon as it receives movement from main transmission.

The lubrication system is provided by oil from the main transmission. There is no need to add oil to the PTO later.

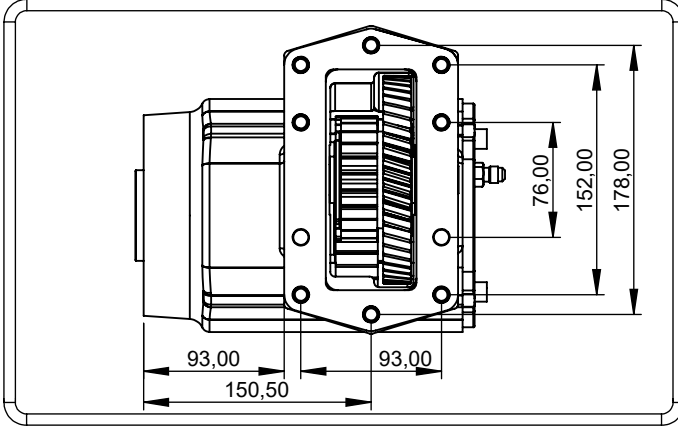
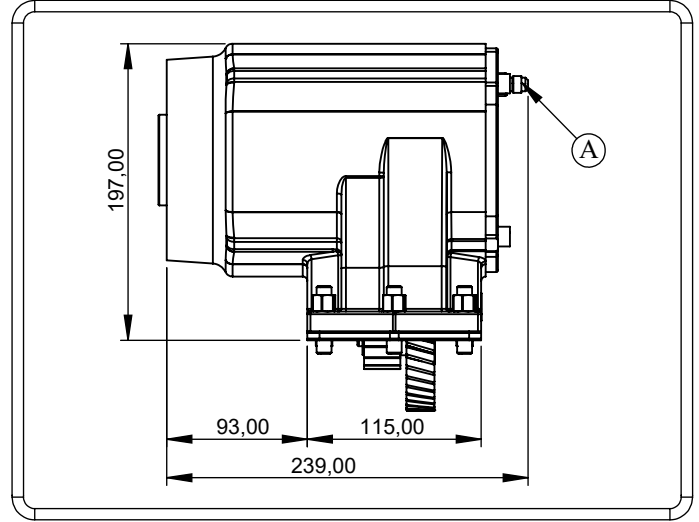
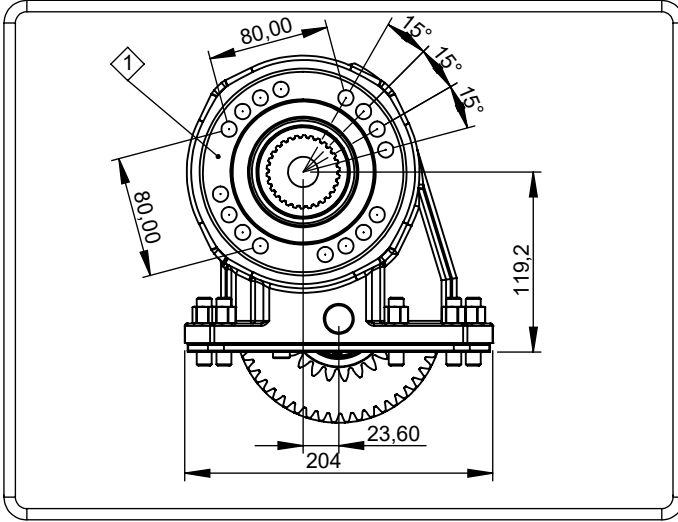
HİDROLİK POMPA ve ARA ŞANZİMAN PTO İMALAT
SAN.LTD.ŞTİ.

AOS. 1. OSB. Erkunt Cad. No: 6 Sincan / ANKARA

Tel.+90 312 267 39 71-Fax +90 312 267 38 72

info@kozmaksan.com.tr

Website: www.kozmaksan.com.tr



1	Universal Out
A	Oil inlet

ORDER CODE INFORMATION

PTO's Model; ALLISON ALS.27 · 05 INTERNAL RATIO

CODE	INTERNAL RATIO
05	0,58

OUTPUT OPTIONS

SAE-B	ISO
SAE-BB	UF (FLANGED)
SAE-C	KEY SHAFT

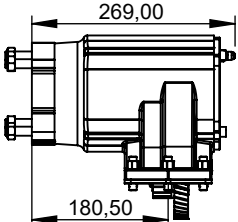
TECHNICAL VALUES			
	MAX VALUES	RATIO 68 Teeth / 83 Teeth / 97 Teeth	WORKING RPM RANGE (MAX)
1	86 Kw - 820 Nm	1:0,79 / 1:0,97 / 1:1,135	

Optimum Working Temperature	25-80°C
Short-term Working Temperature	80-90°C
Risky Working Temperature	OVER 90°C

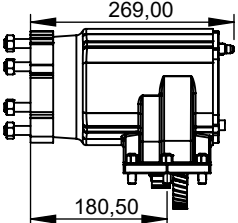
* Output Power ; The rpm and output power may vary. If you have any question, please contact Kozmaksan for exact working values.

WEIGHT	16 Kg / 35 lbs
BODY MATERIAL	GGG-50
OIL TYPE	ATF

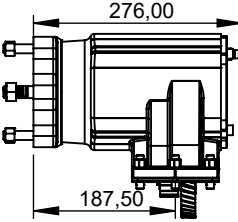
Output Options



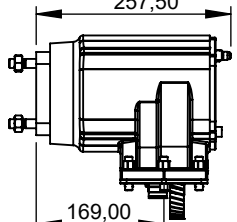
Connection Type	UNV.-->SAE-B
Kw-Nm Values	86 Kw - 820 Nm



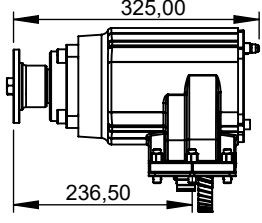
Connection Type	UNV.-->SAE-BB
Kw-Nm Values	86Kw - 820 Nm



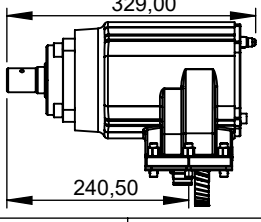
Connection Type	UNV.-->SAE-C
Kw-Nm Values	86Kw - 820 Nm



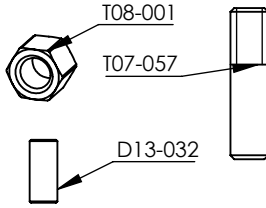
Connection Type	UNV.-->ISO
Kw-Nm Values	86Kw - 820 Nm



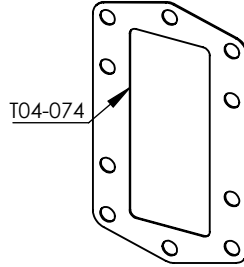
Connection Type	UNV.-->UF
Kw-Nm Values	86Kw - 820 Nm



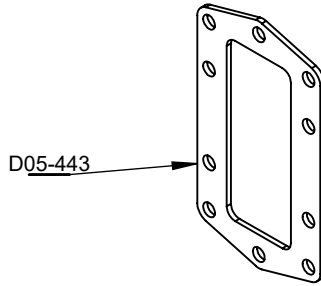
Connection Type	UNV.-->KEY SHAFT
Kw-Nm Values	86Kw - 820 Nm

Standart Installation Kit
Transmission Mounting Parts


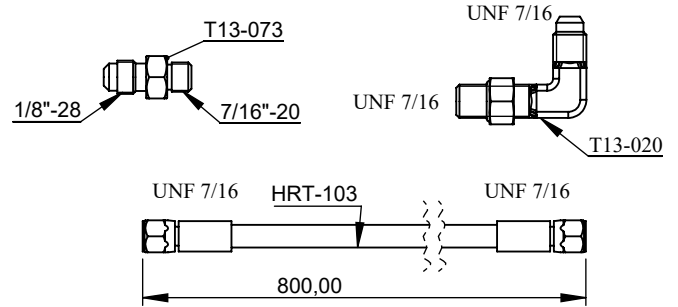
	Code	Qty
1	T08-001	8
2	T07-057	8
3	D13-032	2

Transmission Gasket


	Code	Qty
4	T04-074	2

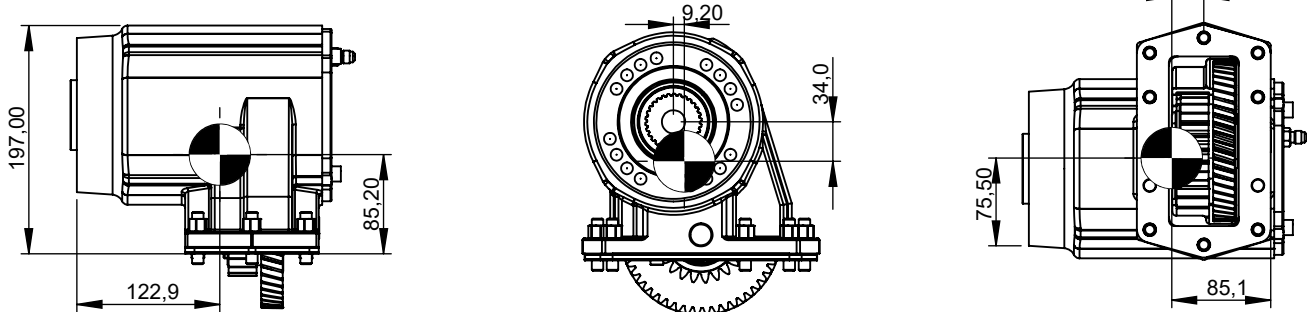
Mounting Plate


	Code	Qty
8	D05-443	1

Lubrication Fitting


	Code	Qty
5	T13-073	1
6	T13-020	1
7	HRT-103	1

No	Code	Description
1	T08-001	M10 REINFORCED NUT 8*8
2	T07-057	M10X40 STUD
3	D13-032	Ø11x25 CENTERING PIN
4	T04-074	ALLISON FACE GASKET
5	T13-073	R1/8"-28 - 7/16"-20 NIPPLE
6	T13-020	7/16x 7/16 UNF T NUT ELBOW WITH CONTRA
7	HRT-103	7/16" - 7/16" 80cm HYDRAULIC 3/16" HOSE
8	D05-443	ALS.27 MOUNTING PLATE (4mm)

Center of Gravity


HİDROLİK POMPA ve ARA ŞANZİMAN PTO İMALAT
SAN.LTD.ŞTİ.

AOS. 1. OSB. Erkunt Cad. No: 6 Sincan / ANKARA

Tel.+90 312 267 39 71-Fax +90 312 267 38 72

info@kozmaksan.com.tr

Website: www.kozmaksan.com.tr